

SMALL PRESSURE CONTROLS (DISC TYPE)

High Volume OEM Item

Type ACB, LCB, HCB, GCB & TCB

SAGINOMIYA

GENERAL DESCRIPTION

- Pressure Control CB series are disc type small pressure controls featuring compact structure and field proven high quality.
- It is designed to suit modern designed application with its compact and various type of connection styles, such application as air conditioning, automobile industries and others.

Type ACB...High & medium pressure range

Type LCB...Low pressure range

Type HCB...High working pressure

Type GCB...Dual pressure controls

Type TCB...Triple pressure controls

CE mark applicable (available upon request)

UL recognized (available upon request)



Type ACB



Type ACB



Type HCB

STANDARD TYPE NUMBER SELECTION

Type ACB & LCB

Unit: MPa (kgf/cm²)

Catalog No.	Range		Max. Pressure	Contact Functions	Pressure Connections	Terminal Construction	Application	Dimension	Wt. (kg)	
	Min.	Max.								
ACB	0.7 {7}	4.5 {45}	4.5 {45}	SPST (High Cut)	Female Flare	Open	High Pressure Cut Out	①	0.03	
						Water Proof		②	0.06	
					1/4" Solder	Open		③	0.03	
						Water Proof		④	0.06	
				SPDT	Open	⑤		0.03		
					Female Flare	Water Proof		⑥	0.06	
						SPST+Manual Reset		Water Proof		⑦
										SPDT+Manual Reset
LCB	0.1 {1}	0.7 {7}	1.5 {15}	SPST (Low Cut)	1/4" Solder	Open	Low Pressure Cut Out	①	0.03	
						Water Proof		②	0.06	
					Female Flare	Open		Fan Control		③
									Water Proof	Low Pressure Cut Out

Type HCB

Catalog No.	Setting		Max. Pressure	Contact Functions	Pressure Connections	Terminal Construction	Application	Wt. (kg)
	Off	On						
HCB	2.5±0.3 {25.5±3}	2.0±0.3 {20.4±3}	8.0 {80}	SPST	Male M10	Direct Coupler	High Working Pressure	0.044

Type GCB & TCB

Catalog No.	Setting		Differential	Max. Pressure	Contact Functions	Pressure Connections	Terminal Construction	Application	Wt. (kg)				
	Off	On											
GCB	Low 0.2±0.02 {2.0±0.2}	—	Less Than 0.03 {0.3}	5.4 {54}	SPST (Low Cut)	Male M11	Direct Coupler	Dual Pressure Controls	0.024				
	High 3.14±0.2 {32±2.0}		0.6±0.2 {6.1±2.0}		SPST (High Cut)								
TCB	Low 0.2±0.02 {2.0±0.2}	0.226 ^{+0.025} _{-0.03} { 2.3 ^{+0.25} _{-0.3} }	More Than 0.02 {More Than 0.2}		5.4 {54}			SPST (Low Cut)		Male M11	Direct Coupler	Triple Pressure Controls	0.031
	Mid. 1.55±0.13 {15.8±1.3}		1.23±0.15 {12.5±1.5}					(0.29) {(3)}					
	High 3.14±0.2 {32±2.0}		(2.55) {(26)}	0.59±0.2 {6±2}		SPST (High Cut)							

ELECTRICAL RATINGS

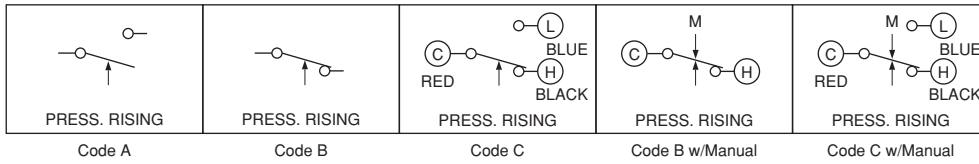
Type ACB, LCB & HCB

Category of Ratings			M Rating			L Rating			T Rating
Rated Amps. (A)	Rated Voltage (V)	Power Factor (cos φ)	125V.AC	250V.AC	12V.DC	125V.AC	250V.AC	12V.DC	12/24V.DC
	Non-Inductive Current		1	1 to 6	1 to 4	1 to 4	0.02 to 2	0.02 to 1	0.02 to 0.1
Inductive Current	Full Load	0.75	1 to 24	1 to 16	—	0.02 to 8	0.02 to 4	—	—
	Locked Rotor	0.45							

Type GCB & TCB 24V. DC 2.5A (12V. DC 5A)

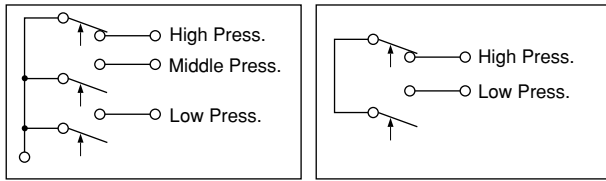
CONTACT FUNCTIONS

Type ACB, LCB & HCB



Type TCB

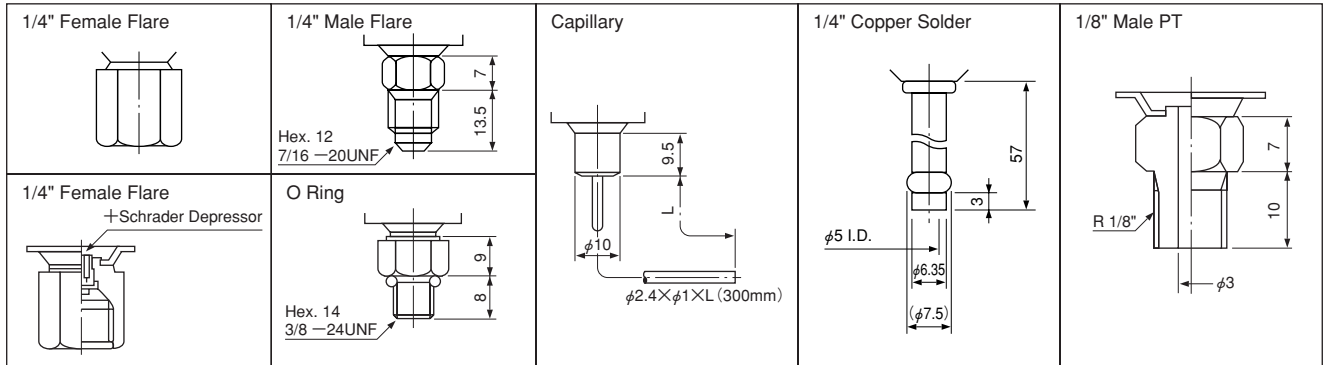
Type GCB



↑: Operating direction on press. increase at High Press. Side
M ↓: Operating direction on manual reset

PRESSURE CONNECTIONS

Unit: mm



DIMENSIONS

Unit: mm

