

# CONDENSER FAN SPEED CONTROLLERS

Type RGE

SAGInoMIYA

## GENERAL DESCRIPTION

- The most suitable for controlling the speed of a condenser fan of freezing and refrigeration condensing unit, package air conditioner and other units which are operated throughout a year.
- Keep condensing pressure constant in winter and intermediate seasons for stable operation.
- One of the following operation models is selectable when low speed.
  - Minimum Speed Operation
  - Cut off Operation
- Excellent noise-resisting design.
- Protective device conforms to IP54.
- Applicable to the external forced operation switch.

**CSA** Three Phase Certificate Number 1311845  
Single Phase Certificate Number 1325910



Single-phase type



Three-phase type

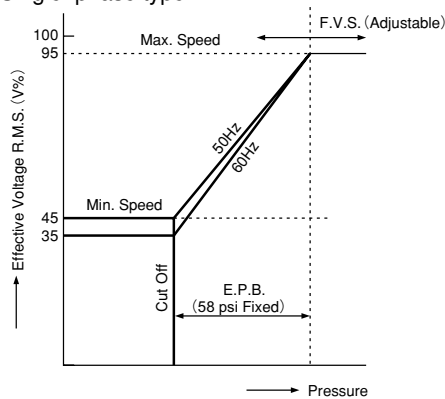
## TYPE NUMBER SELECTION (SPECIFICATIONS)

Catalog No.	*1 F.V.S. Setting (psi)			*2 E.P.B. (psi)	Refrigerants	Electrical Rating	Function	Ambient Temp. (°F)	Wt. (kg)					
	Factory Set	Adjusting Range												
		Min.	Max.			Ampere								
RGE-Z1N2-7	160	116	406	58	R134a	Single phase 200 VAC +/-10% 50/60Hz	At approximately 45V%, Cut Off or Minimum Speed function is selectable with changeover switch.	-4 to 130	0.5					
RGE-Z1N4-7	275				R22, R404A, R407C									
RGE-Z1N6-7	460	R410A												
RGE-Z1P2-7	160	116	406	58	R134a				Single phase 200 VAC +/-10% 50/60Hz	At approximately 45V%, Cut Off or Minimum Speed function is selectable with changeover switch.	0.58			
RGE-Z1P4-7	275				R22, R404A, R407C									
RGE-Z1P6-7	460	230	565	116	R410A									
RGE-Z1Q2-7	160	116	406	58	R134a							Single phase 200 VAC +/-10% 50/60Hz	At approximately 45V%, Cut Off or Minimum Speed function is selectable with changeover switch.	0.58
RGE-Z1Q4-7	275				R22, R404A, R407C									
RGE-Z1Q6-7	460	230	565	116	R410A									
RGE-Z3R2-7	145	116	406	58	R134a									
RGE-Z3R4-7	275				R22, R404A, R407C									
RGE-Z3R6-7	460	230	565	116	R410A	0.2 to 5A	At approximately 35V%, Cut Off or Minimum Speed function is selectable with changeover switch.	1.4						
RGE-X3R2-7	145	116	406	58	R134a									
RGE-X3R4-7	275				R22, R404A, R407C									
RGE-X3R6-7	460	230	565	116	R410A	400VAC +10%,-15% 50/60Hz	At approximately 35V%, Cut Off or Minimum Speed function is selectable with changeover switch.	5 to 120						

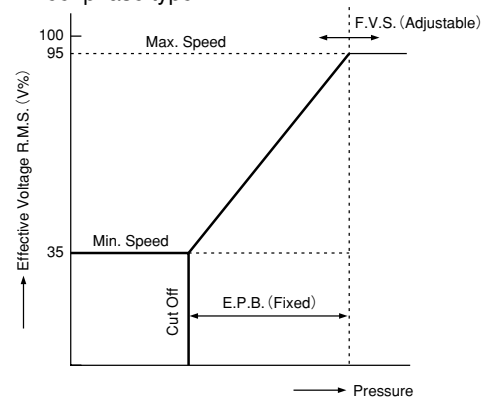
- \*1: The pressure at which the control delivers 95% output effective voltage (VRMS).
- \*2: Pressure width where effective voltage corresponds to the minimum speed or causes cut off operation
- Min. speed: Fan motor will be kept running at the specific value (V%) when pressure band increase more than E.P.B.
- Cut off: Fan motor will be stopped when pressure decrease to the specific value (V%) for R.M.S.
- For other pressure set values or min. speed/cut off set values, please contact us.

## OPERATION

Single-phase type



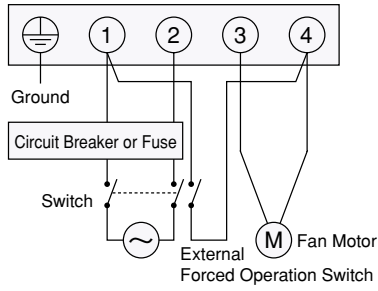
Three-phase type



The operating characteristic may vary according to the voltage, frequency, and fan motor characteristics.

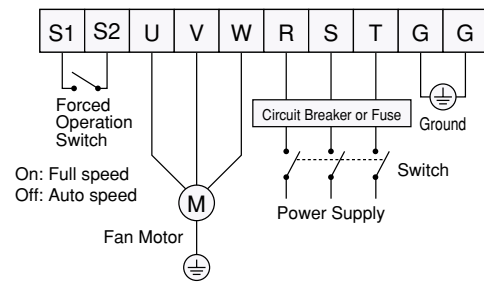
# WIRING

## Single-phase type



For external forced operation switch, contact us.

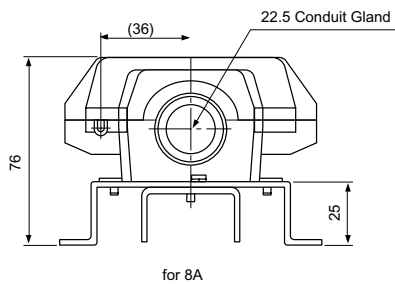
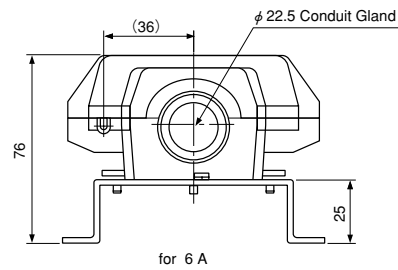
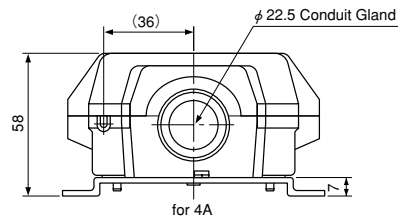
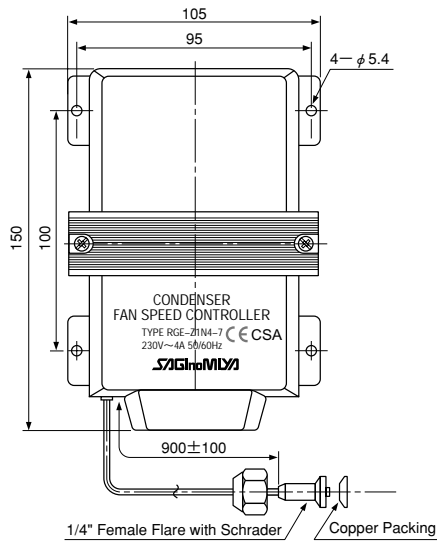
## Three-phase type



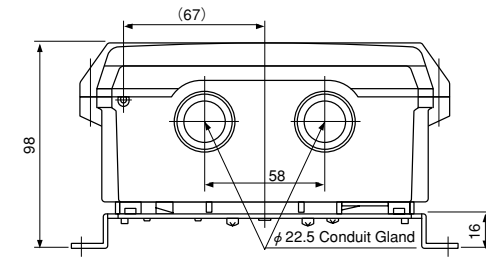
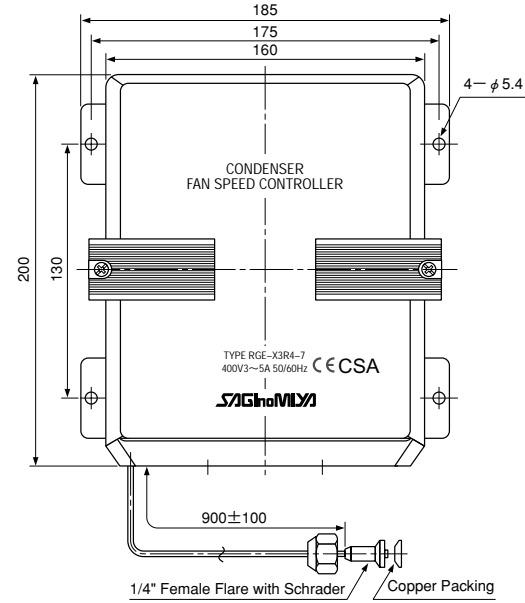
Use a forced operation switch with non-voltage contact signal.

# DIMENSIONS

## Single-phase type



## Three-phase type



Unit: mm



ECOTHERM INC. (TORONTO)

TEL: (905) 737-2113

FAX: (905) 737-7319

ECOTHERM INC. (MONTREAL)

TEL: (514) 685-5113

FAX: (514) 685-5119

www.ecotherm.ca